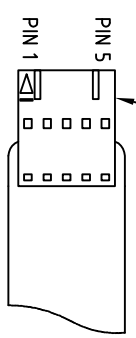
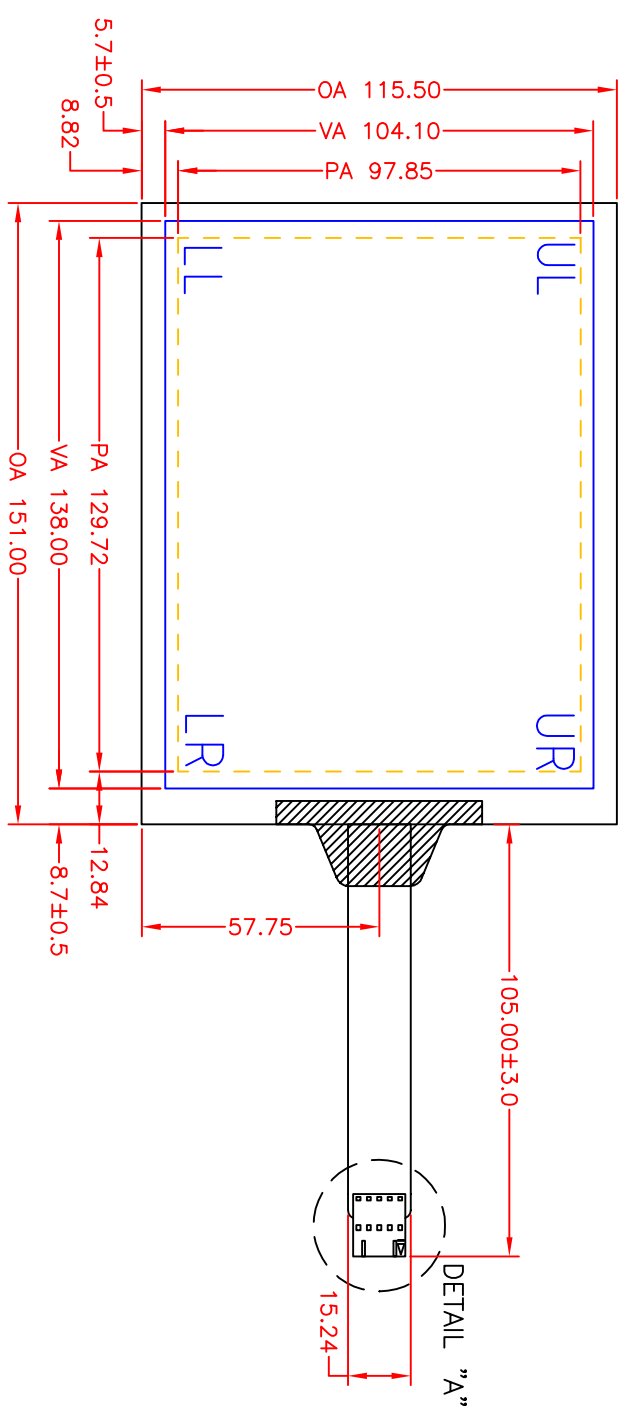


CONNECTOR HOUSING
AMP #103959-4
OR EQUIV



DETAIL "A"
NOT TO SCALE

PIN OUT	
5	LL
4	LR
3	SHIELD
2	UR
1	UL



OA DIAGONAL : 190.11 [7.48"] (REF)
VA DIAGONAL : 172.86 [6.80"] (REF)
PA DIAGONAL : 162.49 [6.40"] (REF)

NOTES :
1. Tail type : FPC

REV	DESCRIPTION	DATE	BY
A-02	MODIFY DRAWING LAYOUT	2009-12-11	H.Y
A	INITIAL RELEASE	2009-06-01	EC

DIMENSIONS		TOLERANCES UNLESS OTHERWISE SPECIFIED		THIRD ANGLE PROJECTION	
MM	±	X	±0.3	DO NOT SCALE DRAWING	1 : 1
	XX	XXX	±0.15		
	ANGLES		±1°		
TITLE		DRAWN BY		DRAWN DATE	
Damo 達諾光電股份有限公司		Hunter Yu		2009-12-11	
Capacitive Touch Sensor		P/N		REV.	
151.00 x 115.50 x 2.80		F1-06832APA-N0		A-02	
NOTICE OF PROPRIETARY RIGHTS		SHEET		1 of 1	
The document is proprietary property of Damo and is not to be distributed without Damo's authorization.		DRAWN DATE		2009-12-11	