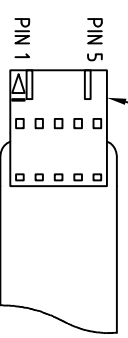


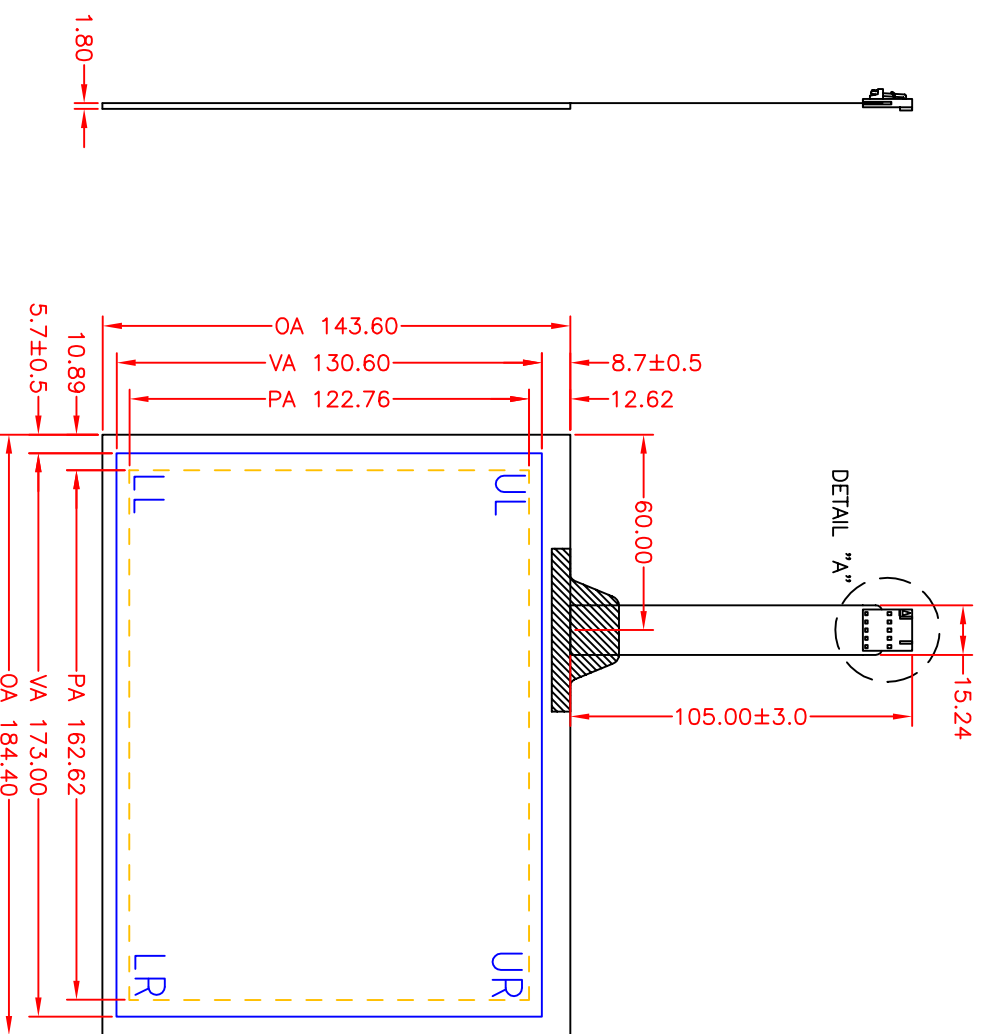
CONNECTOR HOUSING
AMP #103959-4
OR EQUIV



DETAIL "A"
NOT TO SCALE

PIN OUT	
5	LR
4	UR
3	SHIELD
2	UL
1	LL

OA DIAGONAL : 233.72 [9.20"] (REF)
VA DIAGONAL : 216.76 [8.53"] (REF)
PA DIAGONAL : 203.75 [8.02"] (REF)



NOTES :
1. Tail type : FPCC

A-DI INITIAL RELEASE		CHANGE NOTICE		2010-05-12		H.Y. SCALE		
REV	DATE	DNW	SCALE	1 : 1	DO NOT SCALE DRAWING	REV.	SHEET	DRAWN DATE
A-01	2010-05-12	DNW	1 : 1			A-01	1 of 1	2010-05-12

DIMENSIONS		TOLERANCES UNLESS OTHERWISE SPECIFIED		TITLE		NOTICE OF PROPRIETARY RIGHTS	
MM		X	±	Dano 達諾光電股份有限公司		The document is proprietary property of Dano Optoelectronics and shall not be distributed without Dano's authorization.	
		.XX	±0.3	Capacitive Touch Sensor			
		XXX	±0.15	184.40 x 143.60 x 1.80			
		ANGLES	±1°				
THIRD ANGLE PROJECTION		DO NOT SCALE DRAWING		P/N	F1-08531APA-G0	DRAWN BY	Hunter Yu