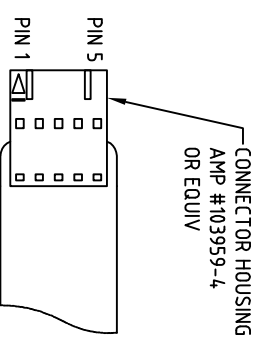
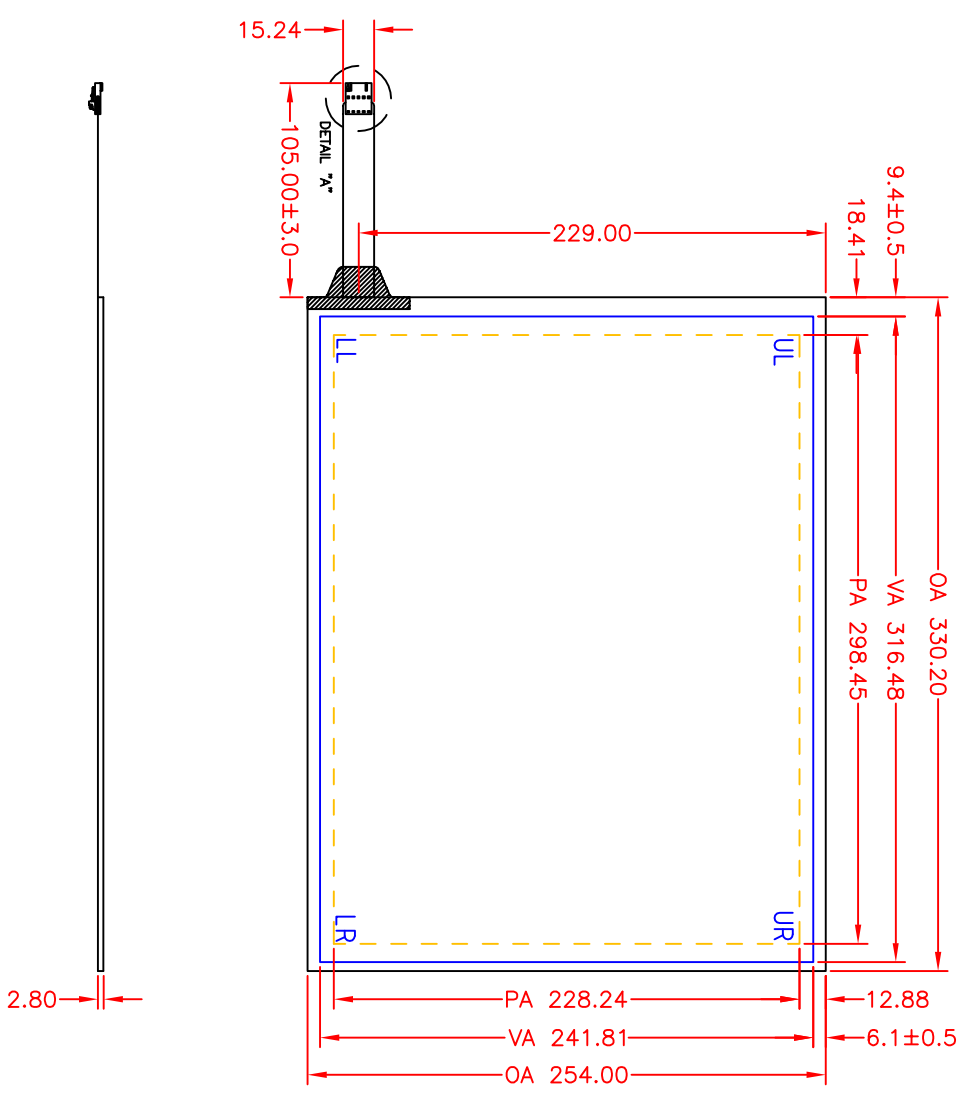


OA DIAGONAL : 416.59 [16.40"] (REF)
 VA DIAGONAL : 398.29 [15.68"] (REF)
 PA DIAGONAL : 375.72 [14.79"] (REF)



DETAIL "A"
 NOT TO SCALE

PIN OUT	
5	UR
4	UL
3	SHIELD
2	LL
1	LR



NOTES :
 1. Tail type : FPC

A-02	MODIFY DRAWING LAYOUT	2009-12-17	H.Y
A	INITIAL RELEASE	2009-03-19	H.Y
REV	CHANGE NOTICE	DATE	DRW

DIMENSIONS		MM	TOLERANCES UNLESS OTHERWISE SPECIFIED
X		±	
.XX		±0.3	
.XXX		±0.15	
ANGLES		±1°	
THIRD ANGLE PROJECTION			
TITLE		Dano 達諾光電股份有限公司 Capacitive Touch Sensor 330.20x 254.00 x 2.80	
NOTICE OF PROPRIETARY RIGHTS		The document is proprietary property of Dano Optoelectronic Co., Ltd. and is not to be distributed without Dano Optoelectronic Co., Ltd.'s authorization.	
P/N	F1-15722APA-N0	DRAWN BY	Hunter Yu
REV.	A-02	SHEET	1 of 1
DRAWN DATE		2009-12-17	