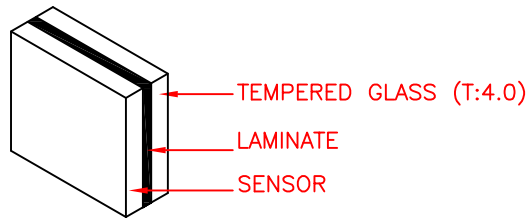
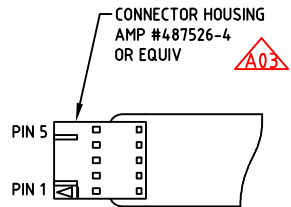


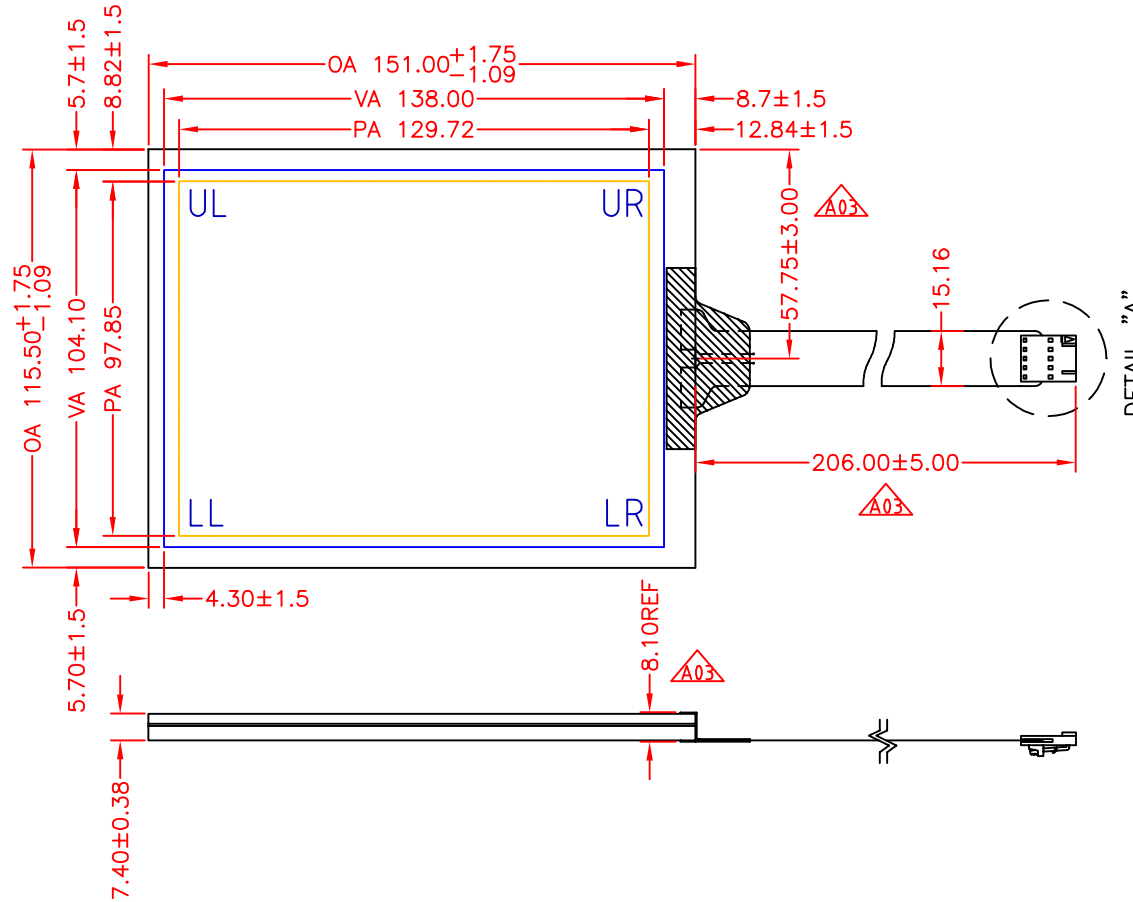
OA DIAGONAL : 190.11 [7.49"] (REF)  
 VA DIAGONAL : 172.86 [6.81"] (REF)  
 PA DIAGONAL : 162.49 [6.40"] (REF)



LAY UP



DETAIL "A"  
NOT TO SCALE



PIN OUT	
5	LL
4	LR
3	SHIELD
2	UR
1	UL

- NOTES :
1. Tail type : FPC
  2. A03: Modify housing name, tail drawing and tail hot bar area

DIMENSIONS		MM		Dano 達諾光電股份有限公司	
TOLERANCES UNLESS OTHERWISE SPECIFIED		TITLE		NOTICE OF PROPRIETARY RIGHTS	
.X	±	Capacitive Touch Sensor		The document is proprietary property of DanoTech Corp.Ltd.and may not be reproduced or distributed without Danotech authorization.	
.XX	±0.76	151.00x 115.50 x 7.40			
.XXX	±0.38				
ANGLES	±1°				
THIRD ANGLE PROJECTION		P/N		DRAWN BY	
		F1-06827APA-NL		YC	
DO NOT SCALE DRAWING		REV.		DRAWN DATE	
SCALE 1:1		A-03		2012-03-23	
		SHEET			
		1 of 1			

REV	CHANGE NOTICE	DATE	DRW
A-03	Modify housing name, tail drawing and tail hot bar area	2012-03-23	YC
A-02	MODIFY DRAWING LAYOUT	2010-02-23	H.Y
A	INITIAL RELEASE	2010-01-20	EC