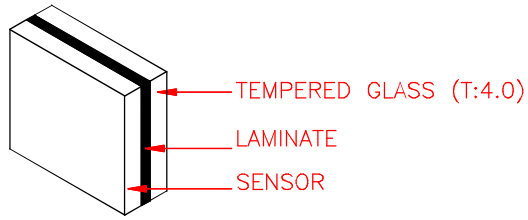
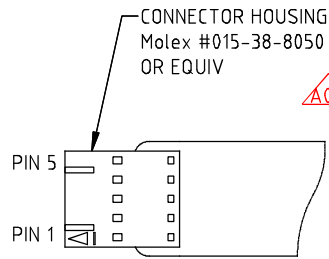


OA DIAGONAL : 334.34 [13.16"] (REF)  
 VA DIAGONAL : 314.63 [12.40"] (REF)  
 PA DIAGONAL : 297.08 [11.70"] (REF)



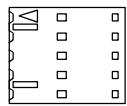
LAY UP



CONNECTOR HOUSING  
 Molex #015-38-8050  
 OR EQUIV

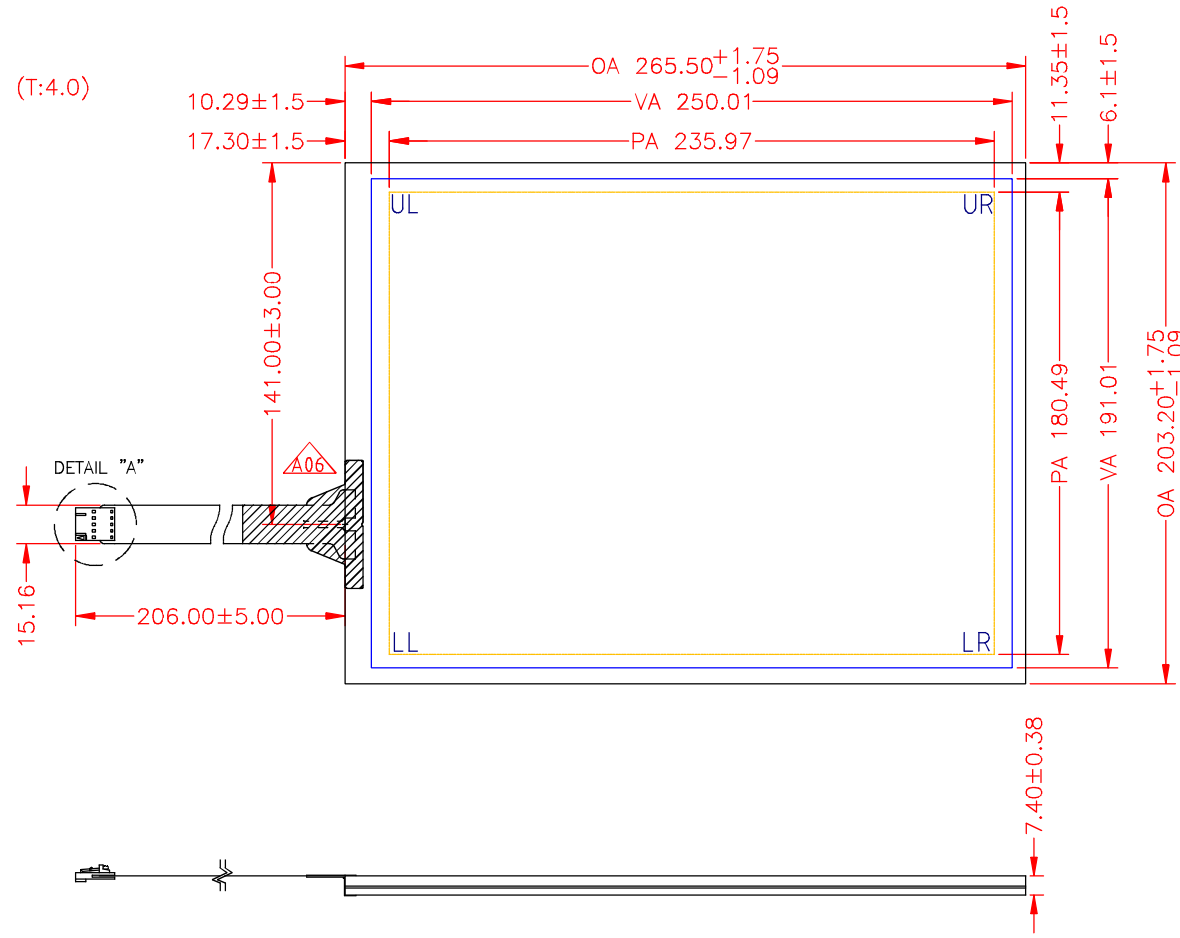
A06

DETAIL "A"  
 NOT TO SCALE



替代用Housing

A06



A06

PIN OUT	
5	UR
4	UL
3	NC
2	LL
1	LR

- NOTES :
1. Tail type : FPC
  2. A06: Eliminate pin 3 and update Mylar tape shape, etc.

REV	CHANGE NOTICE	DATE	DRW
A-06	Eliminate pin 3 and update Mylar tape shape, etc.	2014-05-16	YC
A-05	Modify housing name, tail drawing and hot bar area	2012-03-21	YC
A-04	MODIFY DRAWING LAYOUT	2010-02-23	H.Y
A-03	Modify the shape of Teflon tape.	2008-12-23	JK
A-02	Changed O/A and thickness dimension tolerance	2008-05-12	H.Y
A	INITIAL RELEASE	2008-03-31	H.Y

DIMENSIONS		Dano 達諾光電股份有限公司	
MM		TITLE	
TOLERANCES UNLESS OTHERWISE SPECIFIED		Capacitive Touch Sensor	
.X	±	265.50x 203.20 x 7.40	
.XX	± 0.76	NOTICE OF PROPRIETARY RIGHTS	
.XXX	± 0.38	The document is proprietary property of DanoTech Corp.Ltd, and may not be reproduced or distributed without Danotech authorization.	
ANGLES ±1°		DRAWN BY	
THIRD ANGLE PROJECTION		YC	
DO NOT SCALE DRAWING		DRAWN DATE	
SCALE 1:1		REV. A-06	SHEET 1 of 1
		2014-05-16	