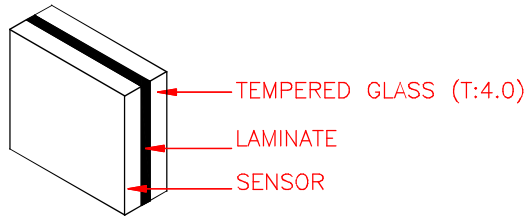
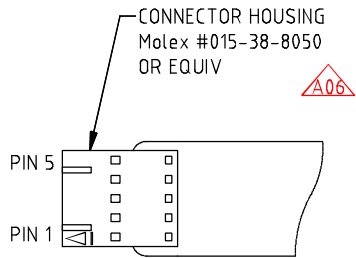


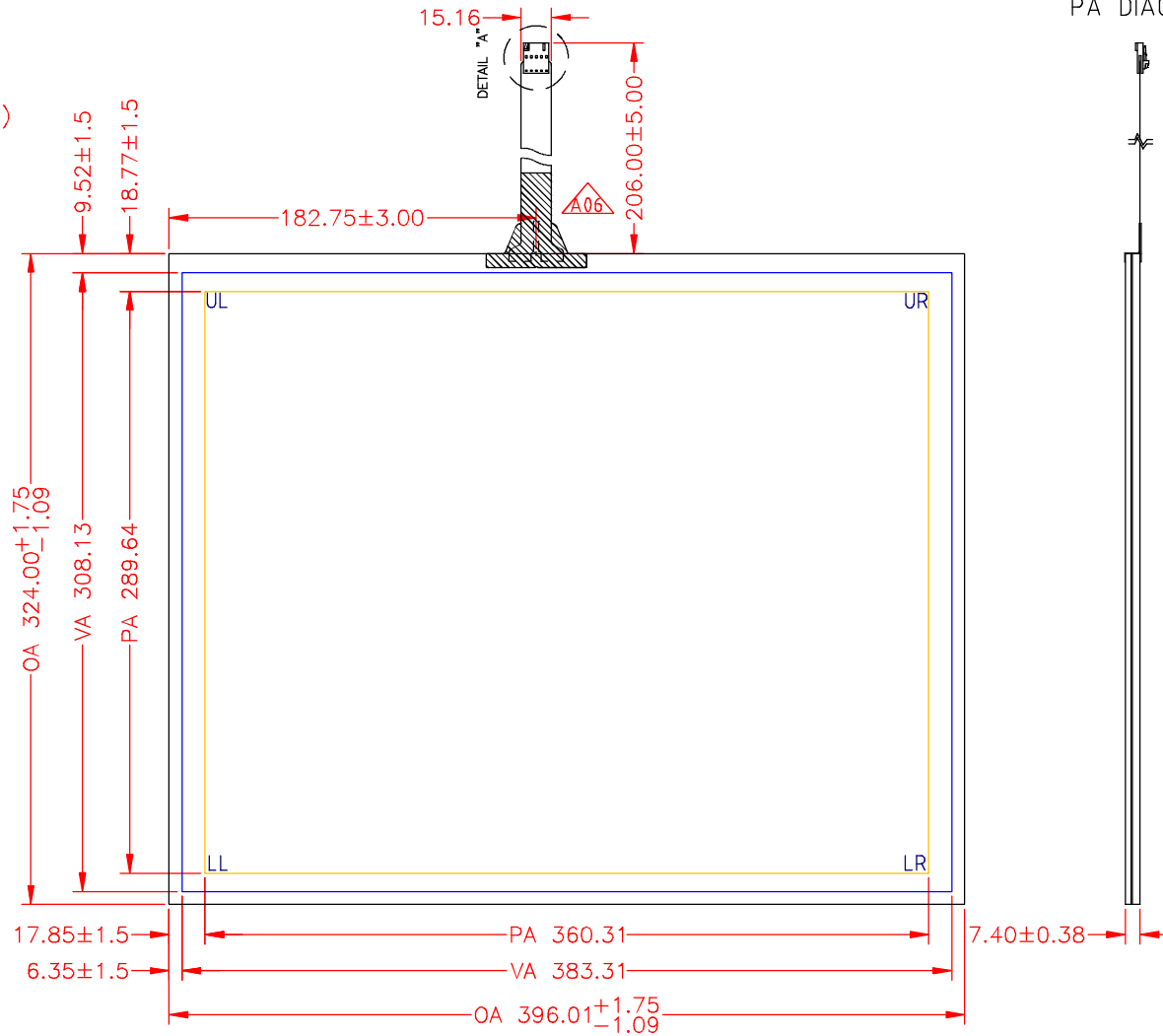
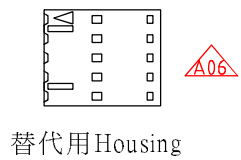
OA DIAGONAL : 511.66 [20.14"] (REF)
 VA DIAGONAL : 491.80 [19.36"] (REF)
 PA DIAGONAL : 462.29 [18.20"] (REF)



LAY UP



DETAIL "A"
 NOT TO SCALE



PIN OUT	
5	LR
4	UR
3	NC
2	UL
1	LL

- NOTES :
1. Tail type : FPC
 2. A05: Modify housing name, tail drawing and tail hot bar area
 3. A06: Eliminate pin 3 and update Mylar tape shape, etc.

REV	CHANGE NOTICE	DATE	DRW
A-06	Eliminate pin 3 and update Mylar tape shape, etc.	2014-05-16	YC
A-05	Modify housing name, tail drawing and tail hot bar area	2012-03-21	YC
A-04	MODIFY DRAWING LAYOUT	2010-02-24	H.Y
A-03	Modify shape of tape on tail	2008-12-23	J.K
A-02	Changed O/A and thickness dimension tolerance	2008-05-12	H.Y
A	INITIAL RELEASE	2008-03-31	H.Y

DIMENSIONS		Dano 達諾光電股份有限公司	
MM		TITLE	
TOLERANCES UNLESS OTHERWISE SPECIFIED		Capacitive Touch Sensor	
.X	±	NOTICE OF PROPRIETARY RIGHTS	
.XX	±0.76	The document is proprietary property of Dano Tech Corp.Ltd, and may not be reproduced or distributed without Danotech authorization.	
.XXX	±0.38	396.01x 324.00 x 7.40	
ANGLES ±1°		P/N	
THIRD ANGLE PROJECTION		F1-19417APA-NL	
DO NOT SCALE DRAWING		REV.	
SCALE 1:1		A-06	
		SHEET	
		1 of 1	
		DRAWN BY	
		YC	
		DRAWN DATE	
		2014-05-16	