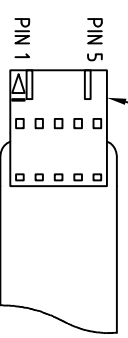


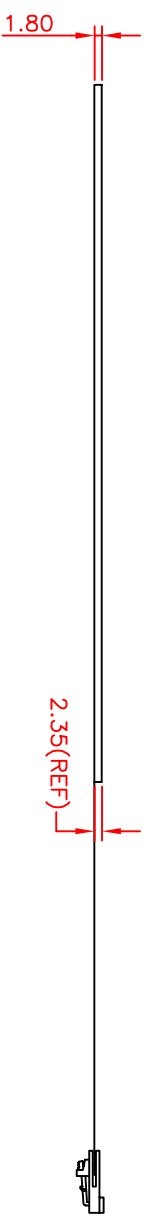
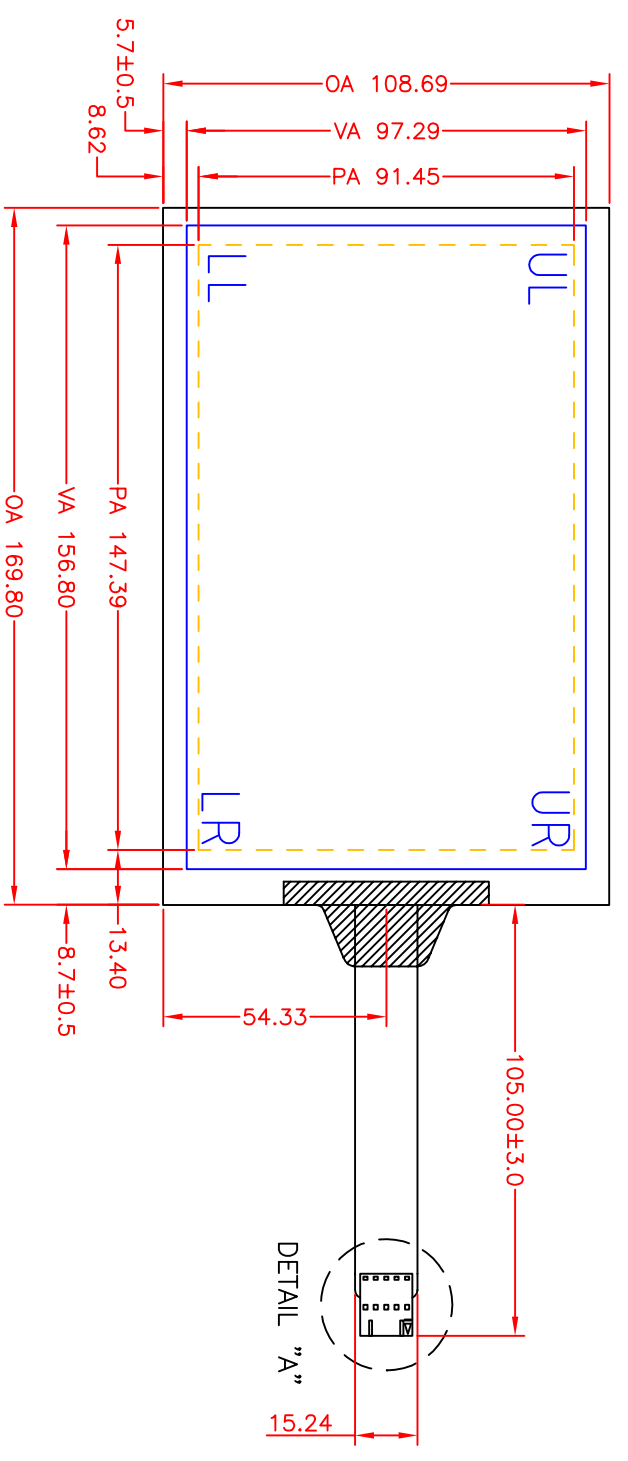
CONNECTOR HOUSING  
AMP #103959-4  
OR EQUIV



DETAIL "A"  
NOT TO SCALE

PIN OUT	
5	LL
4	LR
3	SHIELD
2	UR
1	UL

OA DIAGONAL : 201.61 [7.94"] (REF)  
VA DIAGONAL : 184.53 [7.27"] (REF)  
PA DIAGONAL : 173.46 [6.83"] (REF)



NOTES :  
1. Tail type : FPC

REV	CHANGE NOTICE	DATE	DRW
A-02	Add tail and tape thickness definition.	2009-12-11	H.Y
A	INITIAL RELEASE	2007-06-08	H.Y

DIMENSIONS		TITLE		NOTICE OF PROPRIETARY RIGHTS	
MM	TOLERANCES UNLESS OTHERWISE SPECIFIED	<i>Dano</i> 達諾光電股份有限公司		The document is proprietary property of Dano Optoelectronic Co., Ltd. and is not to be distributed without Dano's written authorization.	
.X	±	Capacitive Touch Sensor		DRAWN BY Hunter Yu	
.XX	±0.3	169.80x 108.69 x 1.80		DRAWN DATE 2009-12-11	
.XXX	±0.15	THIRD ANGLE PROJECTION		REV. SHEET	
ANGLES ±1°		DO NOT SCALE DRAWING		A-02 1 of 1	
P/N		W1-07311APA-G0		DRAWN DATE	
SCALE		1 : 1		2009-12-11	