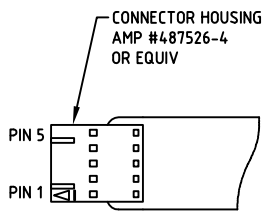
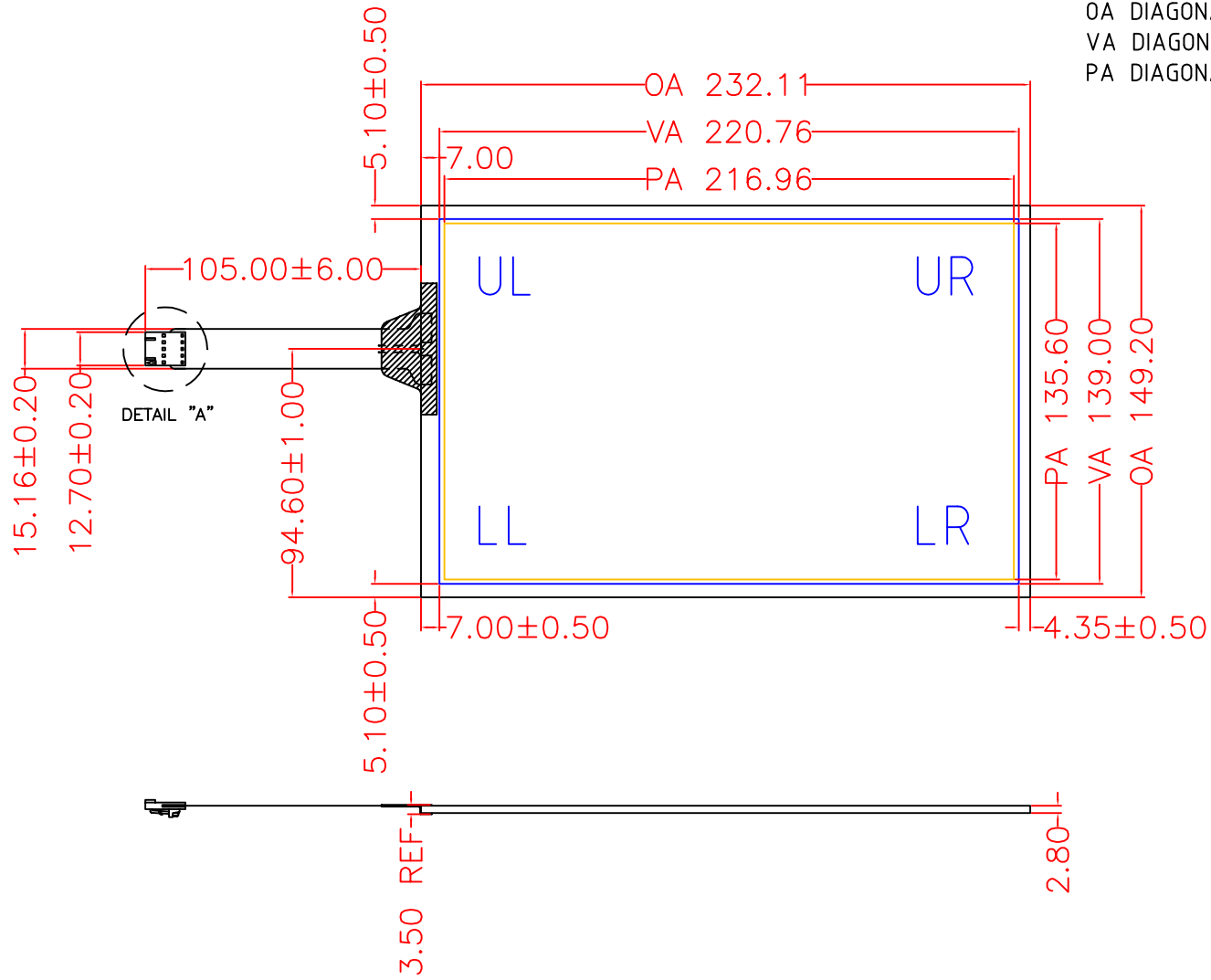


OA DIAGONAL : 275.93 [10.86"] (REF)
 VA DIAGONAL : 260.88 [10.27"] (REF)
 PA DIAGONAL : 245.23 [9.65"] (REF)



DETAIL "A"
 NOT TO SCALE

PIN OUT	
1	LR
2	LL
3	SHIELD
4	UL
5	UR



NOTES :
 1. Tail type : FPC

DIMENSIONS		MM		<i>Dano</i> 達諾光電股份有限公司	
TOLERANCES UNLESS OTHERWISE SPECIFIED		TITLE		NOTICE OF PROPRIETARY RIGHTS	
.X	±	Capacitive Touch Sensor		The document is proprietary property of DanoTech Corp.Ltd.and may not be reproduced or distributed without Danotech authorization.	
.XX	±0.3	232.11x 149.20 x2.80			
.XXX	±0.15	THIRD ANGLE PROJECTION		DRAWN BY	
ANGLES	±1°			YC	
DO NOT SCALE DRAWING		P/N		DRAWN DATE	
SCALE		W1-10322APA-G0		2012-05-23	
1:1		REV.		SHEET	
		A01		1 of 1	

A01	New release	2012-05-23	YC
REV	CHANGE NOTICE	DATE	DRW